

TankJet® 18250A

FLUID DRIVEN TANK CLEANING NOZZLE

Rotating Nozzle Provides Complete Orbital Coverage

Features and Benefits

- Features three flat sprays mounted in a rotating spray head driven by the flow of the cleaning liquid
- Precisely positioned orifices provide complete coverage of all interior surfaces
- Can be installed horizontally or vertically
- Constructed for long wear life using corrosion-resistant materials – 316 stainless steel with Ryton® (polyphenylene sulfide and kolsterized stainless steel) bearing retainers and sleeves of 50% stainless steel PTFE
- Optimize cleaning performance by using single-pass or particulate-free cleaning liquid
- Can withstand temperatures up to 350°F (177°C)



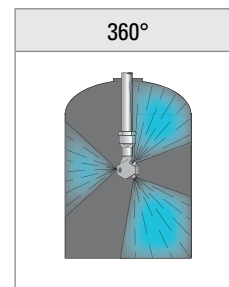
TankJet 18250A
tank cleaning nozzle for
tanks up to 8' (2.4 m) in dia.

Specifications

Max. tank dia.	8' (2.4 m)
Flow rate range:	10.5 to 55 gpm (48 to 205 l/min)
Pressure range:	10 to 60 psi (1 to 4 bar)
Max. operating temperature:	350°F (177°C)
Min. tank opening size:	2-7/32" (60 mm)
Spray coverage:	360°
Inlet conn.:	3/4" NPT or BSPT (F)

Ryton® is a registered trademark of Chevron Phillips Chemical Company LLC.

Spray Coverage



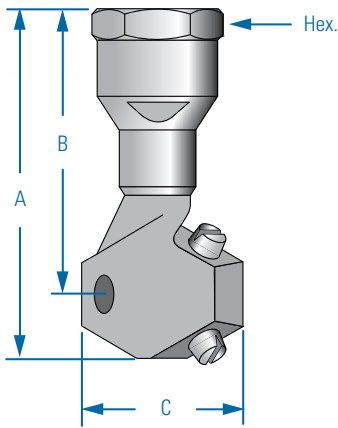
Ideal for Cleaning:

- Barrels
- Chemical tanks
- Food vats
- Processing vessels

Performance Data

Nozzle No.	Capacity gpm (l/min)					
	10 psi (1 bar)	20 psi (1.5 bar)	30 psi (2 bar)	40 psi (2.5 bar)	50 psi (3 bar)	60 psi (4 bar)
18250A-316SS21-316SS	10.5 (48)	14.8 (59)	18.2 (68)	21 (76)	23 (83)	26 (96)
18250A-316SS45-316SS	23 (103)	32 (126)	39 (145)	45 (162)	50 (178)	55 (205)

Dimensions and Weights



Nozzle No.	A	B	C	Hex.	Weight
18250A	5-29/64" (138.4 mm)	4-35/64" (115.5 mm)	2-6/13" (53.6 mm)	1-5/8" (34.9 mm)	1.6 lbs. (0.73 kg)

Ordering Information

TankJet 18250A Tank Cleaning Nozzle			
18250A	–	316SS	45 – 316SS
I Nozzle Type		I Bearings and Races Material Code	I Capacity Size

Add B prior to the nozzle type connection for BSPT connections.