

TankJet® 19

FLUID DRIVEN TANK CLEANER

Slim and Sleek Design Ideal for Cleaning Tanks with Small Openings

Features and Benefits

- Fits in tank openings as small as 2" (51 mm) with 7/8" (22 mm) probe for even smaller keg or drum bungholes
- Sleek design helps prevent residue buildup and simplifies maintenance
- Carefully drilled solid stream orifices are strategically placed to provide four different spray coverages
- Fluid driven unit rotates at a slow speed of 3 to 15 rpm for increased dwell time on tank surface compared to free spinning units
- Suitable for CIP or portable installations
- Mount vertically, horizontally or at any angle
- Made of 316 stainless steel and PTFE material

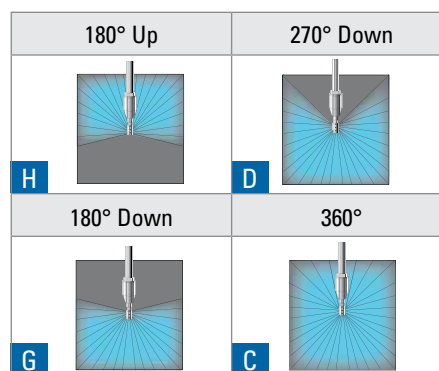


TankJet 19 tank cleaner
for tanks up to 12' (3.6 m) in dia.

Specifications

Flow rate range:	10 to 30 gpm (38 to 114 l/min)
Pressure range:	50 to 200 psi (3.4 to 3.8 bar)
Rotation speed:	3 to 15 RPM
Max. operating temperature:	250°F (121°C)
Min. tank opening size:	2.0" (51 mm)
Spray coverage:	360°; 270°; 180° up and down
Inlet conn.:	3/4" NPT, BSPT (F)
Weight:	2 lbs. (0.9 kg)

Spray Coverage



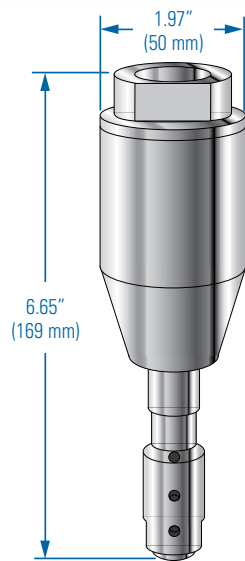
Ideal for Cleaning:

- Chemical mixers/blenders
- Drums and kegs
- Food processing tanks
- Pharmaceutical tanks
- Tablet coating machines

Performance Data

Model No.	Spray Coverage	Capacity gpm (l/min)								
		50 psi (3.4 bar)	70 psi (4.8 bar)	90 psi (6.2 bar)	100 psi (6.9 bar)	120 psi (8.3 bar)	140 psi (9.7 bar)	160 psi (11 bar)	180 psi (12.4 bar)	200 psi (13.8 bar)
TJ-19	H	10 (38)	13 (49)	15 (57)	16 (61)	18 (68)	19.5 (74)	21 (79)	22.5 (85)	24 (91)
	G	12 (45)	14 (53)	16.5 (62)	17.5 (66)	19 (72)	21 (79)	22.5 (85)	24 (91)	26 (98)
	D	16 (61)	18 (68)	20 (76)	21 (79)	22.5 (85)	24 (91)	26 (98)	27.5 (104)	28.5 (108)
	C	17 (64)	19 (72)	21 (79)	22 (83)	24 (91)	25.5 (97)	27.5 (104)	29 (110)	30 (114)

Dimensions



Ordering Information

TankJet 19 Tank Cleaner		
TJ19	—*	C
 Model No.	 Inlet Type	 Spray Coverage

*Add B for BSPT connections. If NPT connection, leave blank.