

TankJet® 21400A

FLUID DRIVEN TANK CLEANING NOZZLE

Compact Rotating Nozzle Provides Complete Coverage

Features and Benefits

- Features three flat sprays mounted in a rotating spray head driven by the flow of the cleaning liquid
- Precisely positioned orifices provide complete orbital coverage of all interior surfaces
- Can be installed vertically or horizontally
- Constructed for long wear life using corrosion-resistant materials – 316 stainless steel with Ryton® (polyphenylene sulfide) and kolsterized 316 stainless steel bearing retainers; sleeves of 50% stainless steel PTFE
- Optimize cleaning performance by using single-pass or particulate-free cleaning liquid
- Can withstand temperatures up to 350°F (177°C)



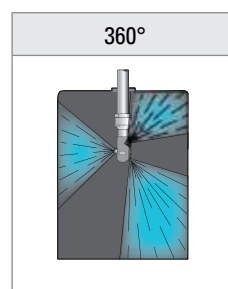
TankJet 21400A tank cleaning nozzle for tanks up to 5' (1.5 m) in dia.

Specifications

Max. tank dia.	5' (1.5 m)
Flow rate range:	5.0 to 22 gpm (23 to 82 l/min)
Pressure range:	10 to 60 psi (1 to 4 bar)
Max. operating temperature:	350°F (177°C)
Min. tank opening size:	2-1/4" (60 mm)
Spray coverage:	360°
Inlet conn.:	3/4" NPT or BSPT (F)

Ryton® is a registered trademark of Chevron Phillips Chemical Company LLC.

Spray Coverage



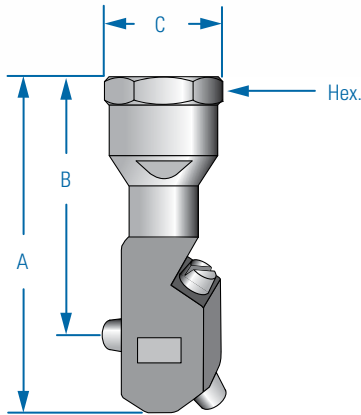
Ideal for Cleaning:

- Barrels
- Chemical tanks
- Food vats
- Processing vessels

Performance Data

Nozzle No.	Capacity gpm (l/min)					
	10 psi (1 bar)	20 psi (1.5 bar)	30 psi (2 bar)	40 psi (2.5 bar)	50 psi (3 bar)	60 psi (4 bar)
21400A-316SS10-316SS	5.0 (23)	7.1 (28)	8.7 (32)	10 (36)	11.2 (39)	12.2 (46)
21400A-316SS18-316SS	9.0 (41)	12.7 (50)	15.6 (58)	18 (65)	20 (71)	22 (82)

Dimensions and Weights



Nozzle No.	A	B	C	Hex.	Weight
21400A	5-9/32" (134 mm)	4-25/64" (111.5 mm)	1-3/4" (44.5 mm)	1-5/8" (34.9 mm)	1.5 lbs. (0.68 kg)

Ordering Information

TankJet 21400A Tank Cleaning Nozzle			
21400A	-	316SS	18 - 316SS
I Nozzle Type	I Bearings and Races Material Code	I Capacity Size	I Material Code

Add B prior to the nozzle type for BSPT connections.