

# TankJet® 6353 & 6353-MFP

## FIXED TANK CLEANING NOZZLES

Stationary Cluster Nozzles Provide  
Robust and Reliable Cleaning

### Features and Benefits

- Features 13 FullJet® nozzles for high-capacity cleaning
- Simple, reliable and does not contain any moving parts
- TankJet 6353-MFP provides increased cleaning action by using 3/8" Maximum Free Passage (MFP) FullJet nozzles; MFP design helps reduce clogging
- Individual nozzles can be replaced with plugs to provide specific cleaning coverages
- Nozzles are easily removed for cleaning and inspection
- Can be installed in any position; special designs available for a wide range of coverages

TankJet 6353 and  
6353-MFP tank cleaning  
nozzles for tanks up to  
10' (3 m) in dia.



**TankJet 6353 nozzle**  
Uses 13 1/4" or 3/8" FullJet  
full cone nozzles

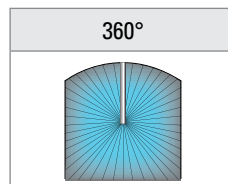


**TankJet 6353-MFP nozzle**  
Uses 13 3/8" FullJet full cone nozzles

### Specifications

|  |                                   |
|--|-----------------------------------|
| <b>Max. tank dia.:</b>                       | 10' (3 m)                         |
| <b>Flow rate range<br/>TankJet 6353:</b>     | 8.9 to 60 gpm (35 to 230 l/min)   |
| <b>Flow rate range<br/>TankJet 6353-MFP:</b> | 25 to 80 gpm (93 to 301 l/min)    |
| <b>Pressure range:</b>                       | 20 to 50 psi (1.5 to 3.5 bar)     |
| <b>Max. operating<br/>temperature:</b>       | 212°F (100°C)                     |
| <b>Min. tank<br/>opening size:</b>           | 6" (152 mm)                       |
| <b>Materials<br/>TankJet 6353:</b>           | Brass, 303 or 316 stainless steel |
| <b>Materials<br/>TankJet 6353-MFP:</b>       | Brass or 316 stainless steel      |
| <b>Spray coverage:</b>                       | 360°                              |
| <b>Inlet conn.:</b>                          | 1-1/2" NPT or BSPT (F)            |

### Spray Coverage



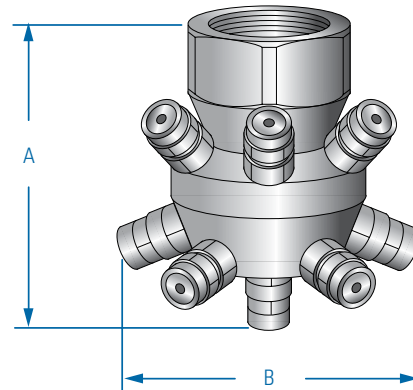
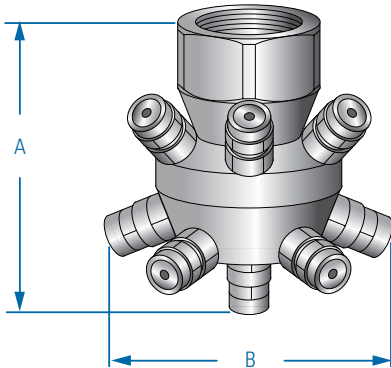
### Ideal for Cleaning:

- Chemical processing tanks
- Process tanks
- Pulp chests

**Performance Data**

| Nozzle No. | FullJet® Nozzle No. | Max. Free Pass in. (mm) | Capacity gpm (l/min) |                |                |                  |
|------------|---------------------|-------------------------|----------------------|----------------|----------------|------------------|
|            |                     |                         | 20 psi (1.5 bar)     | 30 psi (2 bar) | 40 psi (3 bar) | 50 psi (3.5 bar) |
| 6353       | 1/4 GG5             | 0.050 (1.3)             | 8.9 (35)             | 10.8 (40)      | 12.3 (48)      | 13.6 (52)        |
| 6353       | 1/4 GG10            | 0.063 (1.6)             | 17.9 (70)            | 22 (80)        | 25 (97)        | 27 (104)         |
| 6353       | 3/8 GG22            | 0.109 (2.8)             | 39 (155)             | 48 (177)       | 55 (215)       | 60 (230)         |
| 6353       | 3/8 HHMFP6014       | 0.125 (3.2)             | 25 (93)              | 29 (108)       | 31 (118)       | 33 (123)         |
| 6353       | 3/8 HHMFP6022       | 0.156 (4.0)             | 38 (143)             | 44 (167)       | 49 (187)       | 54 (204)         |
| 6353       | 3/8 HHMFP6032       | 0.188 (4.8)             | 55 (206)             | 65 (246)       | 73 (276)       | 80 (301)         |

**Dimensions and Weights**



**TankJet 6353**

| Nozzle No.   | A               | B Dia.          | Weight            |
|--------------|-----------------|-----------------|-------------------|
| 6353-1/4GG5  | 4-1/2" (114 mm) | 4-1/2" (114 mm) | 3.7 lbs. (1.6 kg) |
| 6353-1/4GG10 | 4-1/2" (114 mm) | 4-1/2" (114 mm) | 3.7 lbs. (1.6 kg) |
| 6353-3/8GG22 | 4-3/4" (121 mm) | 5" (127 mm)     | 4.5 lbs. (2.0 kg) |

**TankJet 6353-MFP**

| Nozzle No.        | A               | B Dia.          | Weight            |
|-------------------|-----------------|-----------------|-------------------|
| 6353-3/8HHMFP6014 | 4-1/2" (114 mm) | 4-1/2" (114 mm) | 3.7 lbs. (1.6 kg) |
| 6353-3/8HHMFP6022 | 4-1/2" (114 mm) | 4-1/2" (114 mm) | 3.7 lbs. (1.6 kg) |
| 6353-3/8HHMFP6032 | 4-1/2" (114 mm) | 4-1/2" (114 mm) | 3.7 lbs. (1.6 kg) |

**Ordering Information**

**TankJet 6353 Tank Cleaning Nozzle**

|                |          |                 |          |                   |                   |
|----------------|----------|-----------------|----------|-------------------|-------------------|
| <b>6353</b>    | <b>-</b> | <b>1/4GG</b>    | <b>-</b> | <b>316SS</b>      | <b>5</b>          |
| <br>Nozzle No. |          | <br>Nozzle Type |          | <br>Material Code | <br>Capacity Size |

**TankJet 6353-MFP Tank Cleaning Nozzle**

|                |          |                 |          |                   |                   |
|----------------|----------|-----------------|----------|-------------------|-------------------|
| <b>6353</b>    | <b>-</b> | <b>3/8HHMFP</b> | <b>-</b> | <b>316SS</b>      | <b>14</b>         |
| <br>Nozzle No. |          | <br>Nozzle Type |          | <br>Material Code | <br>Capacity Size |

Add B prior to the inlet connection for BSPT connections.