

# TankJet® 9

## FLUID DRIVEN TANK CLEANER

### Rotating Nozzles Effectively Rinse Tanks

#### Features and Benefits

- Flat spray nozzles mounted in a rotating spray head driven by the flow of the cleaning liquid
- Simple and reliable – no ball bearings
- Operates effectively in any position – vertical or horizontal
- Suitable for CIP and sanitary applications
- Can be used for chemical distribution and passivation
- Made of 316 stainless steel with thermoplastic bearings

#### Choose from three versions:

##### TankJet 9-A

- Two flat sprays produce sides sprays – 2 x 175° coverage
- Low flow rates up to 5 gpm (18.9 l/min)
- For tanks up to 6' (1.8 m) diameter

##### TankJet 9-B

- Six flat sprays provide 360° coverage of entire tank
- Flow rates up to 17 gpm (64 l/min)
- For tanks up to 12' (3.6 m) diameter

##### TankJet 9-C

- Six flat sprays provide 360° coverage of entire tank
- High flow rates up to 38 gpm (144 l/min)
- For tanks up to 16' (4.8 m) diameter

### Ideal for Cleaning:

- Brewery tanks
- Chemical containers
- Drums and kegs
- Food processing tanks
- Pharmaceutical tanks
- Wine barrels and vats

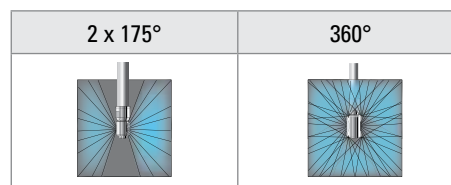


TankJet 9 tank cleaners  
for tanks up to 16' (4.9 m) in dia.

### Specifications

Model No.	TJ9-A	TJ9-B	TJ9-C
<b>Flow rate range:</b>	1.3 to 5 gpm (4.9 to 18.9 l/min)	5 to 17 gpm (18.9 to 64 l/min)	12 to 38 gpm (45 to 144 l/min)
<b>Pressure range:</b>	10 to 120 psi (0.7 to 8.3 bar)	10 to 120 psi (0.7 to 8.3 bar)	10 to 120 psi (0.7 to 8.3 bar)
<b>Max, operating temperature:</b>	190°F (88°C)	190°F (88°C)	190°F (88°C)
<b>Min. tank opening size:</b>	1.0625" (27 mm)	1.375" (35 mm)	1.625" (42 mm)
<b>Spray coverage:</b>	2 x 175°	360°	360°
<b>Inlet conn.:</b>	3/8" NPT, BSPT (F)	1/2" NPT, BSPT (F)	3/4" NPT, BSPT (F)
<b>Weight:</b>	.34 lbs. (.15 kg)	.58 lbs. (.26 kg)	.96 lbs. (.44 kg)

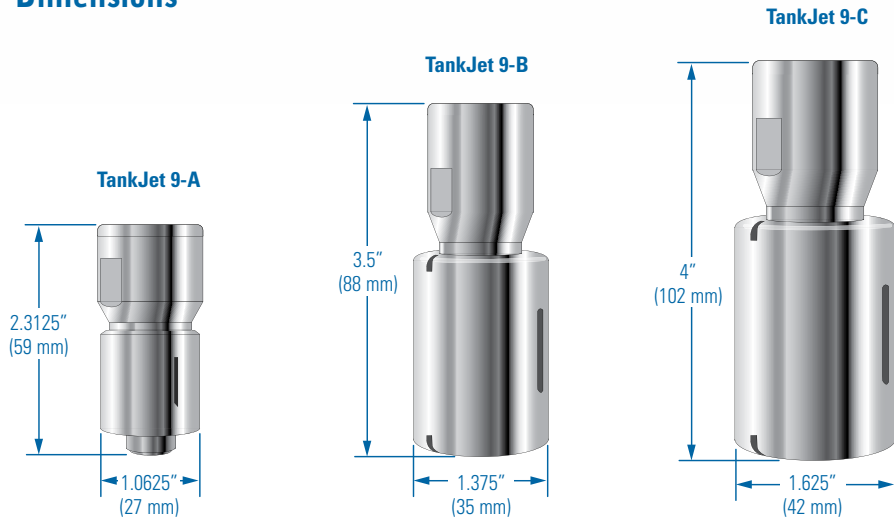
### Spray Coverage



### Performance Data

Model No.	Capacity gpm (l/min)							
	10 psi (0.7 bar)	30 psi (2.1 bar)	50 psi (3.4 bar)	70 psi (4.8 bar)	90 psi (6.2 bar)	100 psi (6.9 bar)	110 psi (7.6 bar)	120 psi (8.3 bar)
TJ9-A	1.3 (4.9)	2.5 (9.5)	3 (11.4)	4 (15.1)	4.5 (17)	4.7 (17.8)	4.9 (18.5)	5 (18.9)
TJ9-B	5 (18.9)	8 (30)	11 (42)	13 (49)	14 (53)	15 (57)	16 (61)	17 (64)
TJ9-C	12 (45)	20 (76)	25 (95)	30 (114)	33 (123)	35 (133)	37 (140)	38 (144)

### Dimensions



### Ordering Information

TankJet 9 Tank Cleaner			
TJ9	—*	—	A
 Model No.	 Inlet Type		 Type

\*Add B for BSPT connections. If NPT connection, leave blank.