

# TankJet® 36640

## FLUID DRIVEN TANK CLEANING NOZZLE

Compact, Rotating Nozzles  
Provide Cylindrical Coverage

### Features and Benefits

- Two flat sprays produce the self-rotating force to drive the nozzle and provide side sprays for cylindrical coverage
- Can be mounted in any position
- Long wear life – nozzles are available in stainless steel and hardened stainless steel bearings and races
- Choice of brass, mild steel and 303 or 316 stainless steel

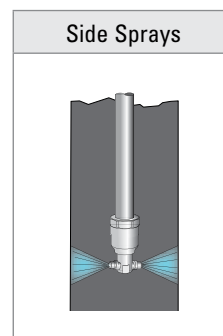


**TankJet 36640**  
tank cleaning nozzle  
for tanks up to 3' (0.9 m) in dia.

### Specifications

<b>Max. tank dia.:</b>	3' (0.9 m)
<b>Flow rate range:</b>	.8 to 2.2 gpm (3.4 to 7.9 l/min)
<b>Pressure range:</b>	10 to 60 psi (1 to 4 bar)
<b>Max. operating temperature:</b>	200°F (93°C)
<b>Min. tank opening size:</b>	1-1/32" (26 mm)
<b>Spray coverage:</b>	Side sprays
<b>Inlet conn.:</b>	1/4" NPT or BSPT (F)

### Spray Coverage



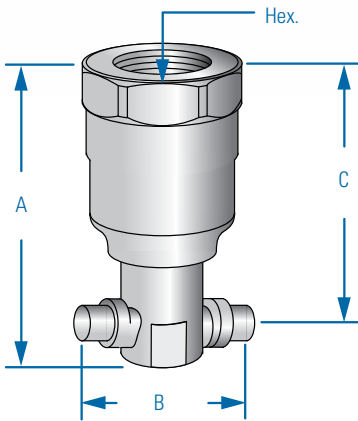
### Ideal for Cleaning:

- Cylinders
- Ducts
- Pipes

## Performance Data

Nozzle No.	Capacity gpm (l/min)					
	10 psi (1 bar)	20 psi (1.5 bar)	30 psi (2 bar)	40 psi (2.5 bar)	50 psi (3 bar)	60 psi (4 bar)
36640-1.7-SS	0.8 (3.4)	1.2 (4.9)	1.5 (5.3)	1.7 (6.1)	1.9 (6.8)	2.2 (7.9)

## Dimensions and Weights



Nozzle No.	A	B Dia.	C	Hex.	Weight
36640	1-7/8" (47.6 mm)	1" (25.4 mm)	1-9/16" (39.7 mm)	7/8" (22.2 mm)	3 oz. (0.09 kg)

## Ordering Information

### TankJet 36640 Tank Cleaning Nozzle

36640	-	1.7	-	SS
I Nozzle Type		I Capacity Size		I Material Code

Add B prior to the nozzle type for BSPT connections.